



P-453

Vandal Resistant Design - Constructed of stainless steel and Fiber-Tex (bullet resistant) material to withstand high-vandal environments

Straightforward Installation - P-455 installs directly to metal door or window frame (mullion) for both indoors and outdoors operation

Wiegand Outputs - Supports industry standard 26-bit and custom Wiegand formats for compatibility with all standard access systems

The Gibraltar Proximity Readers are members of the Pyramid Series Proximity® line of OEM proximity readers, cards and tags. Designed for the very highest levels of vandal resistance, these readers are constructed of stainless steel and Fiber-Tex, a UL 752 listed material for bulletproof integrity, feature epoxy potted electronics, and ship standard with tamper-proof screws. Gibraltar readers are ideal for locations where crime and vandalism are a constant threat, such as schools, universities, and inner-city environments.

Technology

- Supports Farpointe's 125-kHz *Pyramid Series* Proximity cards and tags, as well as HID and/or AWID standard 125-kHz proximity cards and tags
- Anti-tamper mode available, providing supervision of both the reader and its cabling
- Wiegand (industry standard 26-bit and custom) and magnetic stripe outputs are standard
- Pass-thru technology

Easy Installation

- Single-piece design mounts directly to metal door or window frame (mullion) or flat surface
- Quick installation, with two tamper-proof screws included
- Electronics are sealed in weather-and tamper-resistant epoxy potting for both indoor and outdoor operation

Additional Features

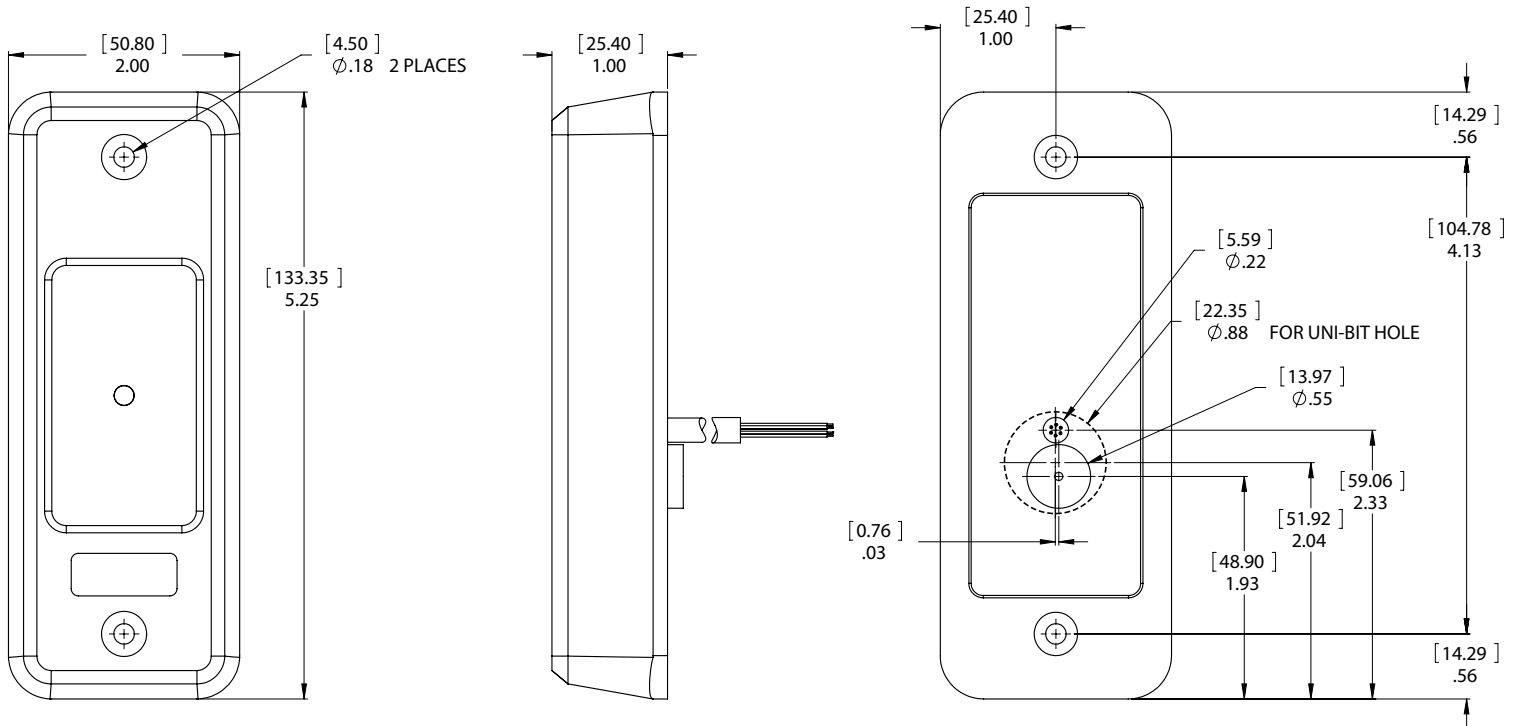
- Recessed label area provides the option for private labeling
- Beeper and 4-state LED (red, green, amber & off) standard, with provisions for both system and local control
- MAXSecure™ compatible - provides an additional level of system security

©2010 Farpointe Data, Inc. All rights reserved. Farpointe Data, the Farpointe Data logo, Pyramid Series Proximity, Pyramid Series logo, Ranger and Delta are registered trademarks of Farpointe Data, Inc. Mifare is a registered trademark of NXP Semiconductors. HID and the HID logo are registered trademarks of HID Global Corporation, an ASSA ABLOY company. All other trademarks are the property of their respective owners.

P-453 Gibraltar Reader

Medium Range Proximity Reader Mullion Mount

Dimensions



Specifications

Dimensions:	5.25 x 2 x 1 inches (114 x 76 x 25.4 mm)	Operating Temperature:	-40° F to 149° F (-40° C to +65 ° C)
Input Voltage:	+5 to 16 VDC	Cable Distance:	Up to 500 ft. (152 m)
Current Draw:	5 mA minimum, 45 mA typical, 80 mA peak	Audio Tone:	External Piezo Beeper
Transmit Frequency:	125-kHz	Mounting:	On metal door or window frame (mullion) or flat surface. May be mounted directly on metal.
Power Supply:	Linear supply recommended, 5-14 VDC	IP Rating:	IP67
Weight:	24 Oz. (680 g)	Certifications:	FCC, CE, C-Tick, IC
Read Range¹:	Up to 1.5 inches (38 mm)	LED:	Four-state standard (red, green, amber, off)
Formats:	Wiegand (26-bit Industry Standard and custom formats) and ABA Track II magnetic stripe (clock and data)	Credential Compatibility:	P-453: Pyramid Series Proximity P-453-H: Pyramid & HID 125-kHz standard proximity P-453-A: Pyramid & AWID 125-kHz standard proximity P-453-H-A: Pyramid, HID and AWID
Warranty:	The P-453 carries a limited lifetime warranty against defects in materials and workmanship		

¹using model PSC-1 Standard Light Proximity Card